

Plug and Play Firmware and Hardware

Features and Benefits

Burst fire

- Increase heater life / better temperature controllability

One input, one auxiliary input, four outputs

- Powerful flexibility at a competitive price

No dipswitches

- Easily configurable from the front panel

Multiple set points

- Flexible automatic control

Pluggable output modules

- Field expandable

Fast 10Hz sampling

- Improved control responsiveness

Programmable menus (Patent pending)

- Can be self-tailored for exact user needs

Open loop break protection

- Indication of thermal loop problem

NEMA 4X (IP65)

- Water and corrosion resistant front panel can be washed down

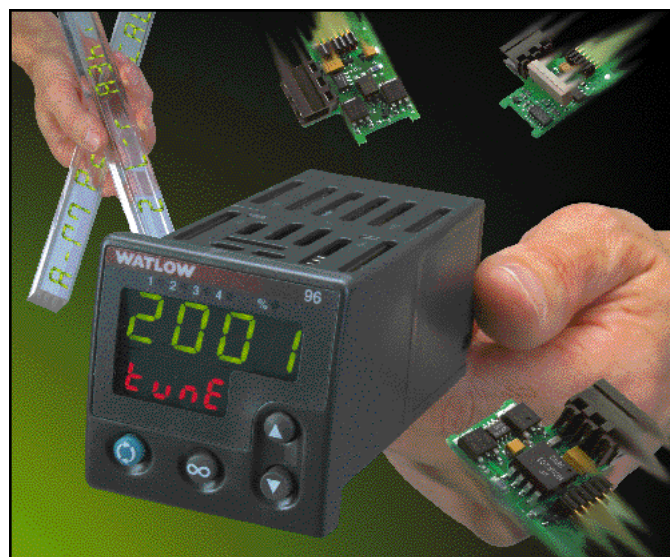
16 programmable ramp and soak steps

- Profiles of dynamic production processes can be programmed into the controller

Automatic tuning

- Easy one step tuning of PID control parameters

Your Authorized Watlow Distributor Is:



Watlow's Series 96 is a powerful $\frac{1}{6}$ DIN dual display controller that offers many advanced functions. This new controller can be tailored to perform hardware and software needs with hardware modules that are pluggable and exchangeable and software menus that may be user programmed to fit exact application requirements.

With one universal input, a second auxiliary input and four outputs the Series 96 can be programmed to perform: temperature measurement, input event switching, remote set point input, heating, boost heating, cooling, alarms, digital communications, ramp and soak and retransmit. These features make this controller ideally suited for applications in markets such as plastics packaging, semiconductor, food processing and lab equipment.

Set point ramping operations include two files with eight steps in each. The files can be linked to create a 16-step profile.

With fast 10Hz sampling, variable time base burst firing outputs, NEMA 4X front panel and 0.1% calibration accuracy this control can easily handle some of the toughest application needs.

The Series 96 is manufactured by ISO 9001 registered Watlow Controls and reliably backed by a three-year warranty.



WIN-96-89

A subsidiary of Watlow, Designer and Manufacturer of Industrial Heaters, Sensors and Controls

1241 Bundy Boulevard
Winona, Minnesota 55987-5580 USA

Phone: 507-454-5300

Fax: 507-452-4507

Internet: <http://www.watlow.com>

ISO 9001



Registered Company
Winona, Minnesota, USA



Specifications—1841

Controller

- Microprocessor-based, user selectable control modes
- Heat and cool auto-tune for control outputs
- Universal input 1, auxiliary input 2, 4 outputs
- Control outputs user selectable as on-off, P, PI, PID
- Input sample period; Single input 10Hz (100 ms), dual input 5Hz (200 ms) adjustable digital filter
- Display update; 2Hz (500 ms), adjustable digital filter
- Output update; burst, 0.1 to 999.9 seconds
- Input/Output/Communication isolation
- Displayed in °C, °F, or process units

Operator Interface

- Dual 4-digit LED displays: upper 0.4 in (10.2 mm), lower 0.244 in (6.2 mm)
- Advance, Up Arrow, Down Arrow, Infinity tactile keys

Standard Conditions For Specifications

- Ambient temperature 77°F/25°C ±3°C, rated line voltage, 50 to 60Hz, 0 to 90% RH non-condensing, 15 minute warm-up

Universal Input 1

Thermocouple

- Type J, K, T, N, C (W5), E, Pt 2, D (W3), B, R, S thermocouple types
- >20MΩ input impedance
- Maximum 20Ω source resistance
- 30μA open detection bias

RTD

- 2- or 3-wire platinum, 100Ω
- JIS and DIN curves
- Whole or tenth degree indication
- 150μA nominal RTD excitation current

Process

- Range selectable: 0-10V \hat{I} (dc), 0-5V \hat{I} (dc), 1-5V \hat{I} (dc), 0-20mA, 4-20mA,
- Voltage input impedance 20kΩ
- Current input impedance 100Ω
- Minimum current source resistance 1MΩ
- Input resolution 50,000 bits (approx.) at full scale
- mV input impedance 20MΩ

Input 2

Event Input

- Contact or voltage
- 20KΩ input impedance
- Voltage input: event high state 3 to 36V \hat{I} (dc), event low state 0 to 2V \hat{I} (dc)
- Resistance/contact input: event high state > 23kΩ, event low state 0 to 2kΩ

Remote Set Point Input: mA or VDC Range Selectable

- Voltage input impedance 20kΩ
- Current input impedance 100Ω

Output Types

Open Collector/Switched DC

- Open collector configuration:
Maximum voltage 42V \hat{I} (dc)
Maximum current 200mA
Maximum “on” resistance 1.1Ω
Maximum offstate leakage current 100μA
- Switched dc configuration:
Switched dc supply voltage 22 to 28V \hat{I} (dc)
dc supply current limited to 30mA

Solid State Relay

- Optically isolated
- Zero cross switched
- Without contact suppression
- Minimum load current 0.5mA rms
- Maximum current 0.5A rms at 20 to 280V \hat{A} (ac)
- Maximum offstate leakage current 10μA rms
- For resistive loads only, must use RC suppression for inductive loads

Electromechanical Relay

- Form C contact configuration
- Minimum load current 10mA @ 5V \hat{I} (dc)
- Rated resistive and inductive loads: 2A @ 250V \hat{A} (ac) or 30V \hat{I} (dc) maximum
- Electrical life 100,000 cycles at rated current
- For resistive loads only, must use RC suppression for inductive loads

Process

- Range selectable: 0-20mA, 4-20mA, 0-5V \hat{I} (dc), 1-5V \hat{I} (dc), 0-10V \hat{I} (dc)
- Reverse or direct acting
- 0 to 10V \hat{I} (dc) voltage output into 1000Ω minimum load resistance
- 0 to 20mA current output into 800Ω maximum load resistance
- Resolution:
dc ranges = 2.5mV nominal
mA ranges = 5μA nominal
- Calibration accuracy:
dc ranges = ±15mV
mA ranges = ±30μA
- Temperature stability 100ppm/°C

Retransmit

- Range selectable: 0-20mA, 4-20mA, 0-5V \hat{I} (dc), 1-5V \hat{I} (dc), 0-10V \hat{I} (dc)
- 0 to 10V \hat{I} (dc) voltage output into a 1,000Ω minimum load resistance
- 0 to 20mA current output into an 800Ω maximum load resistance
- Resolution:
dc ranges = 2.5mV nominal
mA ranges = 5μA nominal
- Calibration accuracy:
dc ranges = ±15mV
mA ranges = ±30μA
- Temperature stability 100ppm/°C

Communications

- EIA/TIA-485 or EIA/TIA-232
- Opto-isolated
- Modbus™ RTU protocol
- 1200, 2400, 4800, 9600, 19200 baud rates
- 32 maximum units can be connected (With additional 485 repeater hardware, up to 247 units may be connected)

Accuracy

- Input ranges
 - Type J: 32 to 1382°F or 0 to 750°C
 - Type K: -328 to 2282°F or -200 to 1250°C
 - Type T: -328 to 662°F or -200 to 350°C
 - Type N: 32 to 2282°F or 0 to 1250°C
 - Type E: -328 to 1470°F or -200 to 900°C
 - Type C(W5): 32 to 4200°F or 0 to 2315°C
 - Type D(W3): 32 to 4200°F or 0 to 2315°C
 - Type Pt 2: 32 to 2540°F or 0 to 1393°C
 - Type R: 32 to 2642°F or 0 to 1450°C
 - Type S: 32 to 2642°F or 0 to 1450°C
 - Type B: 1598 to 3092°F or 870 to 1700°C
 - DIN: -328 to 1472°F or -200 to 800°C
 - JIS: -328 to 1166°F or -200 to 630°C
 - Process: -1999 to 9999 units

Thermocouple Inputs

- Calibration accuracy ±0.1% of span ±1°C at standard conditions
 - Exceptions:
 - Type T; 0.12% of span for -200°C to -50°C,
 - Types R and S; 0.15% of span for 0°C to 100°C
 - Types B; 0.24% of span for 870°C to 1700°C
- Accuracy span: 1000°F/540°C minimum
- Temperature stability: ±0.1 degree per degree change in ambient

RTD Inputs

- Calibration accuracy ±0.1% of span ±1°C at standard conditions
- Accuracy span: 1000°F/540°C minimum
- Temperature stability: ±0.05 degree per degree change in ambient

Process Inputs

- Voltage input ranges
 - Accuracy ±10mV ±1 LSD at standard conditions
 - Temperature stability ±100ppm/°C maximum
- Milliamp input ranges
 - Accuracy ±20µA ±1 LSD at standard conditions
 - Temperature stability ±100ppm/°C maximum

Agency Approvals

- UL916 file number E185611, C-UL, CE, NEMA 4X

Terminals

- Touch safe
- 22 to 12 AWG

Power

- 100-240Vl(ac/dc) +10%, -15%; 50/60Hz, ±5%
- 24-28Vl(ac/dc) +10%, -15%; 50/60Hz, ±5%
- 7.0VA maximum power consumption
- Data retention upon power failure via nonvolatile memory

Operating Environment

- 32 to 149°F, 0 to 65°C
- 0 to 90% RH, non-condensing
- Storage temperature: -40 to 185°F, -40 to 85°C

Dimensions

- Width 2.05 in or 52 mm
- Height 2.05 in or 52 mm
- Length 4.2 in or 107 mm
- Depth behind panel surface 3.875 in or 98.4 mm
- Approximate controller weight 0.4 lbs (0.2 kg)

Allowable Operating Ranges

Type J:	1.0 32 to 1500°F or 0 to 815°C
	0.1 32.0 to 999.9°F or 0.0 to 815.0°C
Type K:	1.0 -454 to 2500°F or -270 to 1370°C
	0.1 -199.9 to 999.9°F or -199.9 to 999.9°C
Type T:	1.0 -454 to 750°F or -270 to 400°C
	0.1 -199.9 to 750.0°F or -199.9 to 400.0°C
Type N:	1.0 32 to 2372°F or 0 to 1300°C
	0.1 32.0 to 999.9°F or 0.0 to 999.9°C
Type E:	1.0 -454 to 1470°F or -270 to 800°C
	0.1 -199.9 to 999.9°F or -199.9 to 800.0°C
Type C:	1.0 32 to 4200°F or 0 to 2315°C
	0.1 32.0 to 999.9°F or 0.0 to 999.9°C
Type D:	1.0 32 to 4200°F or 0 to 2315°C
	0.1 32.0 to 999.9°F or 0.0 to 999.9°C
Type Pt 2:	1.0 32 to 2543°F or 0 to 1395°C
	0.1 32.0 to 999.9°F or 0.0 to 999.9°C
Type R:	1.0 32 to 3200°F or 0 to 1760°C
Type S:	1.0 32 to 3200°F or 0 to 1760°C
Type B:	1.0 32 to 3300°F or 0 to 1816°C
DIN	1.0 -328 to 1472°F or -200 to 800°C
	0.1 -199.9 to 999.9°F or -199.9 to 800.0°C
JIS	1.0 -328 to 1166°F or -200 to 630°C
	0.1 -199.9 to 999.9°F or -199.9 to 630.0°C
Process	-1999 to 9999 units

Functionality Matrix

	Universal Input	Event & Remote Set Point	Control	Alarm	Retransmit	232/485 Comm
Input 1						
Input 2						
Output 1						
Output 2						
Output 3						
Output 4						

Note: These specifications are subject to change without prior notice.

Ordering Information—1842

Series 96

Microprocessor-based
 $\frac{1}{16}$ DIN with universal input 1.
 Options include: software, power supply, input 2, four outputs and display color

Power Supply

- A = 100-240V_I(ac/dc)
- B = 24-28V_I(ac/dc)

Input 2

- 0 = None
- 1 = Event input & 0-5V_I(dc)/ 4-20mA (Remote set point input)

Output 1

- C = Switched dc/open collector
- D = Electromechanical relay, Form C, 2A, without RC suppression
- F = Universal Process, range selectable: 0-20mA, 4-20mA, 0-5V_I(dc), 1-5V_I(dc), 0-10V_I(dc)
- K = 0.5A solid state relay without RC suppression

Output 2

- A = None
- C = Switched dc output/open collector
- D = Electromechanical relay, Form C, 2A, without RC suppression
- F = Universal Process, range selectable: 0-20mA, 4-20mA, 0-5V_I(dc), 1-5V_I(dc), 0-10V_I(dc)
- K = 0.5A solid state relay without RC suppression

Output 3

- A = None
- D = Electromechanical relay, Form C, 2A, without RC suppression

Output 4

- A = None
- D = Electromechanical relay, Form C, 2A, without RC suppression
- M = Universal Retransmit, range selectable: 0-20mA, 4-20mA, 0-5V_I(dc), 1-5V_I(dc), 0-10V_I(dc)
- R = EIA/TIA 232 Communications
- U = EIA/TIA 485 Communications

Software/Preset Parameters

- 00 = Standard software (order with Standard Display/Overlay)
- AA = Ramping software (order with Ramping Display/Overlay)
- XX = Custom software
- XX = Preset parameters

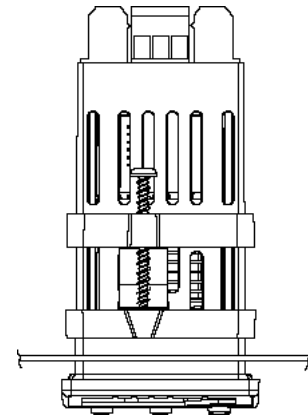
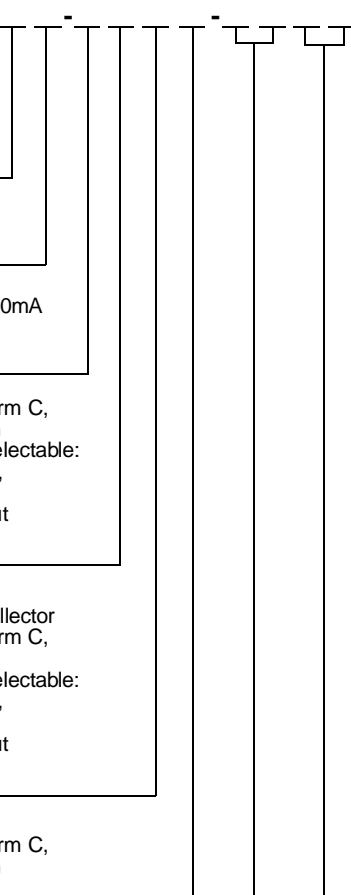
Standard Display/Overlay

- Upper/Lower
- RR = Red/Red display
- RG = Red/Green display
- GR = Green/Red display
- GG = Green/Green display

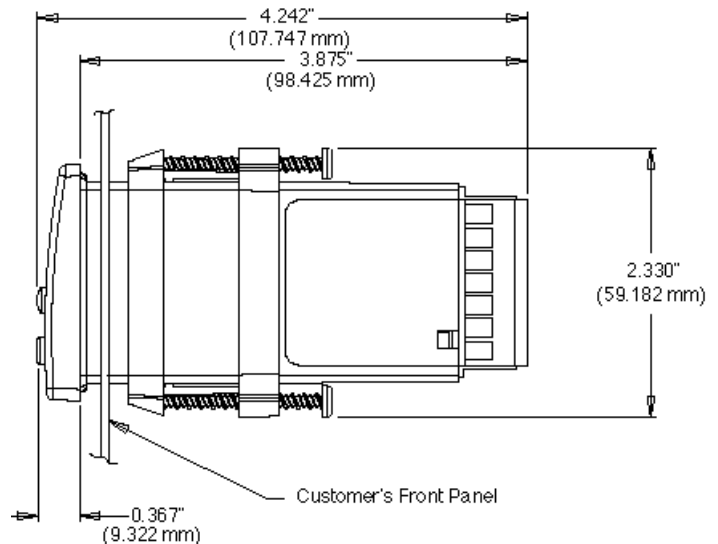
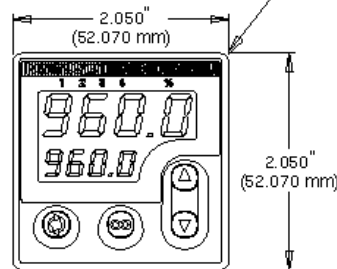
Ramping Display/Overlay

- Upper/Lower
- BA = Red/Red display
- BB = Red/Green display
- BC = Green/Red display
- BD = Green/Green display

9 6



Panel Cutout
 1.77" X 1.77"
 (44.958 mm X 44.958 mm)



United States Sales Offices: Atlanta/Greenville, (770)908-9164 • Austin, (512)249-1900 • Charlotte/Columbia, (704)541-3896 • Chicago, (847)458-1500 • Cincinnati, (513)398-5500 • Cleveland, (330)467-1423 • Dallas, (972)422-4988 • Denver, (303)798-7778 • Detroit, (248)651-0500 • Houston, (281)355-6015 • Indianapolis, (317)575-8932 • Kansas City, (913)897-3973 • Los Angeles, (714)935-2999 • Maryland/Virginia, (410)840-8034 • Minneapolis, (612)431-5700 • Nashville, (615)264-6148 • New England, (603)882-1330 • New York/New Jersey/Philadelphia, (215)345-8130 • New York, Upstate, (716)438-0454 • Orlando, (407)351-0737 • Phoenix, (602)708-1995 • Pittsburgh, (412)323-0548 • Portland, (503)245-9037 • St. Louis, (314)878-4600 • Sacramento, (707)425-1155 • San Diego, (760)728-9188 • San Francisco, (408)980-9355 • Seattle, (425)222-4090 • Tampa/St. Petersburg, (813)926-3600 • Tulsa, (918)496-2826 • Winston Salem/Raleigh, (336)766-9659 • Wisconsin, (414)723-5990

Asian Sales Offices: Australia, 613-9335-6449 • China, 86-21-6229-8917 • Japan, 81-(03)-5403-4688 • Korea, 82-2-563-5777 • Singapore, 65-777-5488 • Taiwan, 886-7-261-8397

European Sales Offices: France, 33-1-3073-2425 • Germany, 49-7253-9400-0 • Italy, 39-2-4588-841 • United Kingdom, 44-115-9640777

Latin American Sales Office: Mexico, 52-42-17-6235

For other product information, call Watlow's FAX REPLY: United States (800)367-0430 • Outside the United States (908)885-6344